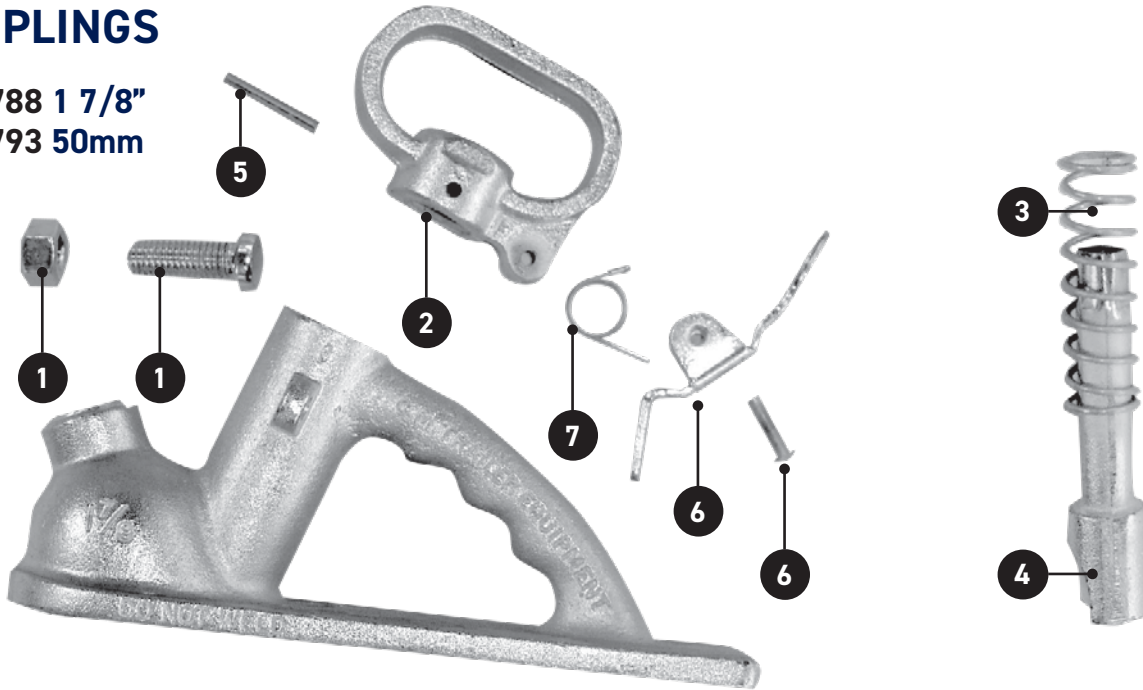


TRAILER COUPLINGS	112-116
HOSE KITS	117
HUB AND STUB 1500/1750/2000/2750kg	118
HUB AND STUB 3000-8000kg	119
HYDRAULIC DISC BRAKES	120-122
HYDRAULIC CALIPERS	123-124
DRUM BRAKES HYDRAULIC	125
DRUM BRAKES ELECTRIC	126
BRAKE DISC PADS AND SHOES	127-129
SPRINGS, ROCKERS, BUSHES	130-133
AMERICAN TRAILER SPARE PARTS	134-137
TROJAN SPARE PARTS	138-139

COUPLINGS

TE4C788 1 7/8"
TE4C793 50mm



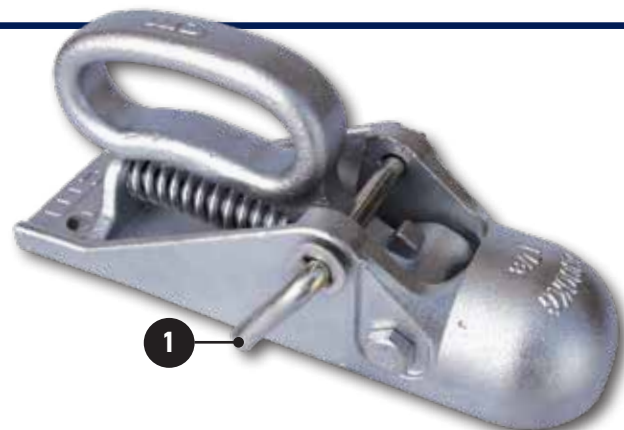
ITEM	DESCRIPTION	1 7/8 RIVET SAFETY CATCH	1 7/8 BOLTED SAFETY CATCH	50MM RIVET SAFETY CATCH	50MM BOLT SAFETY CATCH
1	Adjuster Screw and Nut	610910 1/2" Whitworth Suits Alko & Trigg Blister pack (1 per pack): TE194411P	TE194411C M12 x 1.75mm Blister pack (1 per pack): TE194411CP Pre 2014 < TE194411U Post 2014 > 1/2" UNC Blister pack (1 per pack): TE194411UP	610910 1/2" Whitworth Suits Alko & Trigg Blister pack (1 per pack): TE194411P	TE194411C M12 x 1.75mm Blister pack (1 per pack): TE194411CP Pre 2014 < TE194411U Post 2014 > 1/2" UNC Blister pack (1 per pack): TE194411UP
2	Handle C/W Safety Catch	TE194409*	TE194409C	TE194409*	TE194409C
3	Plunger Spring	TE194412*	TE194412*	TE194412*	TE194412*
4	Plunger	TE194413*	TE194413C	TE194413*	TE194413C
5	Plunger Roll Pin	TE194410*	TE194410*	TE194410*	TE194410*
6	Safety Catch and Rivet	TE194407*	TE194406CP	TE194407*	TE194406CP
7	Safety Catch Spring	TE194408*	TE194406CP	TE194408*	TE194406CP
8	Safety Catch, Spring and Rivet or Bolt	TE194406P*	TE194406CP	TE194406P*	TE194406CP

*No longer available

LEVER COUPLING
LOCK PIN KIT 3/8" DIA

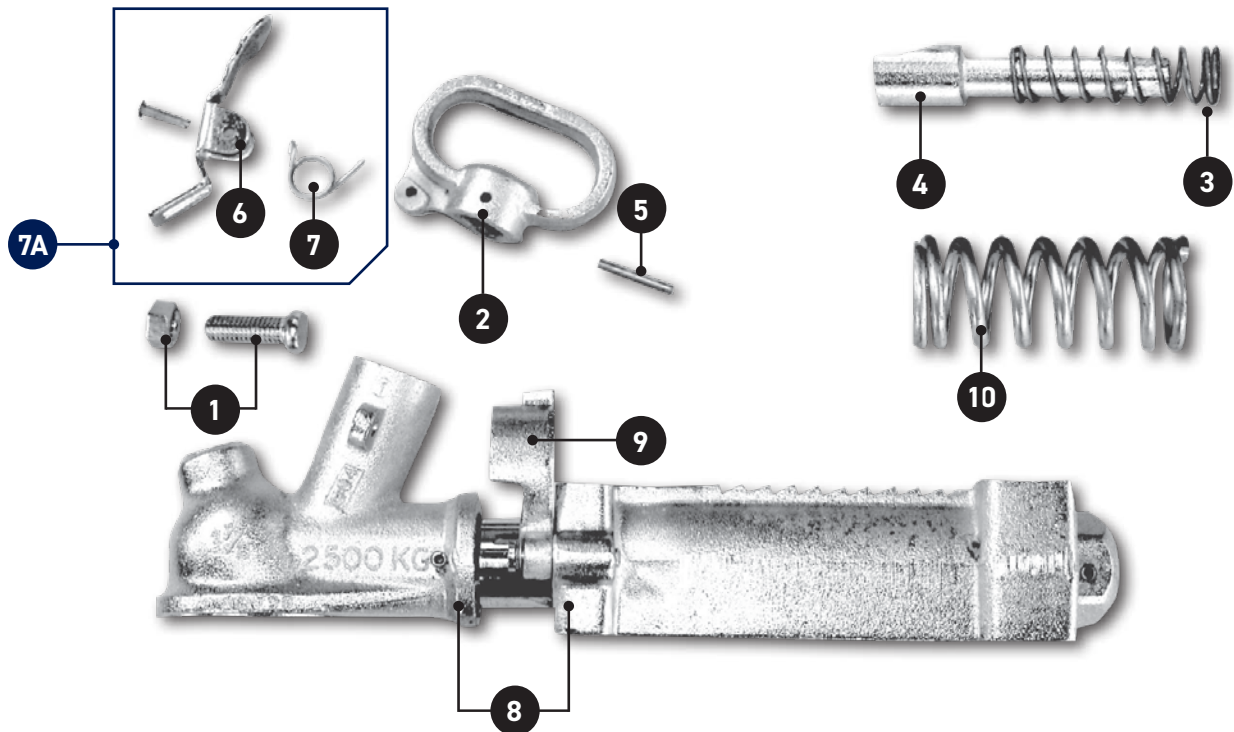
Fits most 1 7/8" & 50mm lever couplings

ITEM	DESCRIPTION	1 7/8 / 50MM
1	Lock pin kit	TE19TRPT1025



HYDRAULIC OVERRIDE COUPLINGS

TE4C798 1 7/8"
TE4C799 50mm

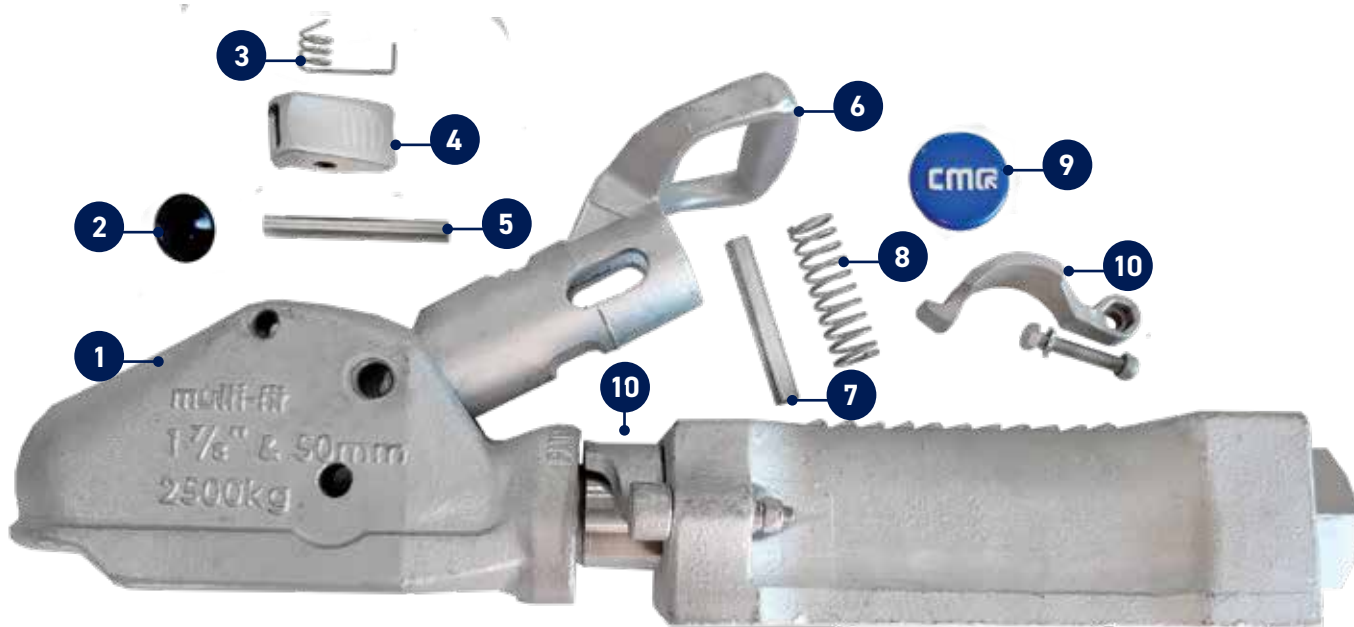


ITEM	DESCRIPTION	1 7/8 RIVET SAFETY CATCH	1 7/8 BOLTED SAFETY CATCH	50MM RIVET SAFETY CATCH	50MM BOLT SAFETY CATCH
1	Adjuster Screw and Nut	610910 1/2" Whitworth Suits Alko & Trigg Single blister pack TE194411P	TE194411C Pre 2014 < M12x1.75mm Single blister pack TE194411CP	610910 1/2" Whitworth Suits Alko & Trigg Single blister pack TE194411P	TE194411C Pre 2014 < M12x1.75mm Single blister pack TE194411CP
			TE194411U is 1/2" UNC Post 2014 > Single blister pack TE194411UP		TE194411U is 1/2" UNC Post 2014 > Single blister pack TE194411UP
2	Handle C/W Safety Catch	TE194409*	TE194409C	TE194409*	TE194409C
3	Plunger Spring	TE194412*	TE194412*	TE194412*	TE194412*
4	Plunger	TE194413*	TE194413C	TE194413*	TE194413C
5	Plunger Roll Pin	TE194410*	TE194410*	TE194410*	TE194410*
6	Safety Catch and Rivet	TE194407*		TE194407*	
7	Safety Catch Spring	TE194408*		TE194408*	
7A	Safety Catch spring & Rivet or Bolt	TE194406P*	TE194406CP	TE194406P*	TE194406CP
8	Override Body Assembly Standard Spring Light Spring*	TE194401Z TE1904401LZ	TE194401Z TE194401LZ*	TE194402Z TE1904401LZ*	TE194402Z TE1904402LZ*
9	Reverse Clip/Pin/Spring	TE194416P	TE194416P	TE194416P	TE194416P
10 LIGHT	Override Spring – Light (1000kg is 6mm diameter)	TE194418*		TE194418*	
10 STANDARD	Override Spring – Standard (2000kg is 7mm diameter)	TE194419		TE194419	

*No longer available

SPARE PARTS

MULTI-FIT COUPLING



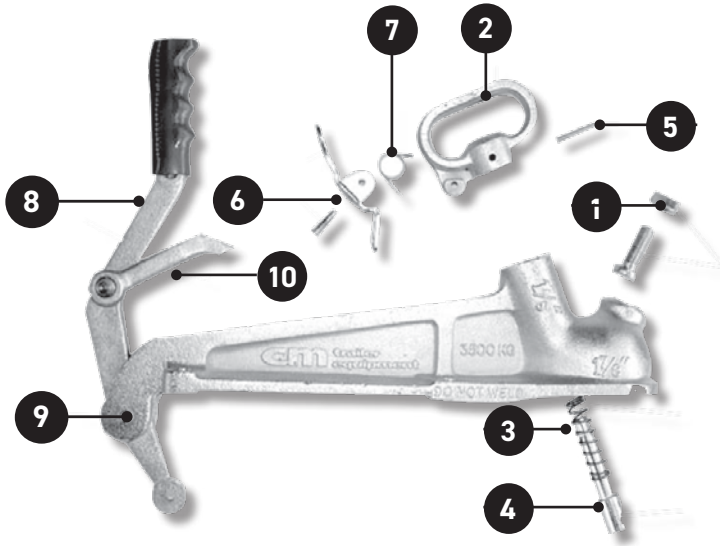
SPARE PARTS

ITEM	DESCRIPTION	PART NO
1	Override assembly 2500kg	TE194501Z
	Electric 3500kg	TE4C891Z
2	Polyinsert	TE194540
3	Torsion Spring	TE194533*
4	Safety Catch	TE194532*
5	Safety Catch Pin	TE194534*
6	Plunger Handle	TE194531*
7	Plunger Pin	TE194535*
8	Plunger Spring	
9	Blue Cap	TE194537
10	Reverse Clip & Bolt	TE194515

*No longer available

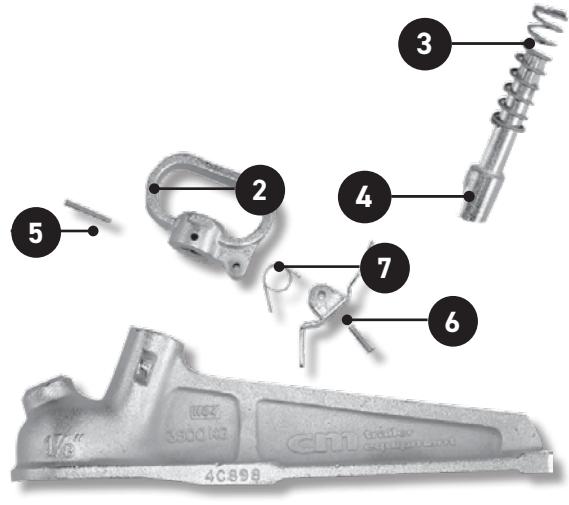
WITH HANDBRAKE

1 7/8" TE4C898
50mm TE4C900



WITHOUT HANDBRAKE

1 7/8" TE4C897
50mm TE4C901

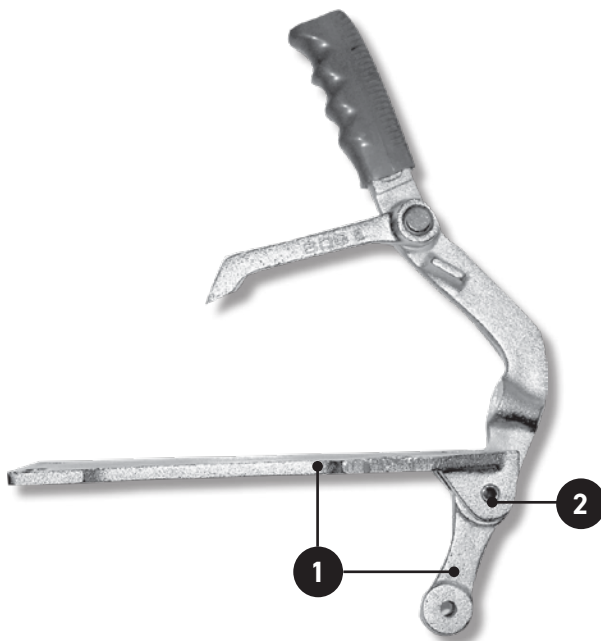


ITEM	DESCRIPTION	PART NO
1	Adjuster Screw and Nut	610910
2	Handle C/W Safety Catch	TE194409*
3	Plunger Spring	TE194412*
4	Plunger	TE194413*
5	Roll Pin	TE194410*
6	Safety Catch/Rivet	TE194407*
7	Safety Catch Spring	TE194408*
8	Handle Brake Lever & Ratchet Assy	TE194455Z*
9	Roll Pin	TE194414*
10	Ratchet	TE194456Z*

*No longer available

SPARE PARTS

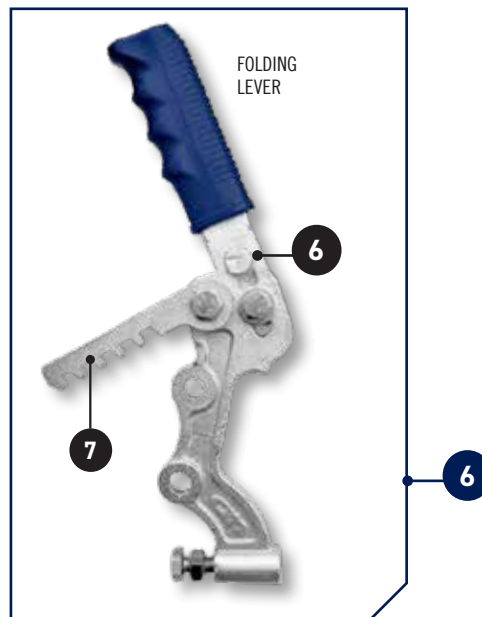
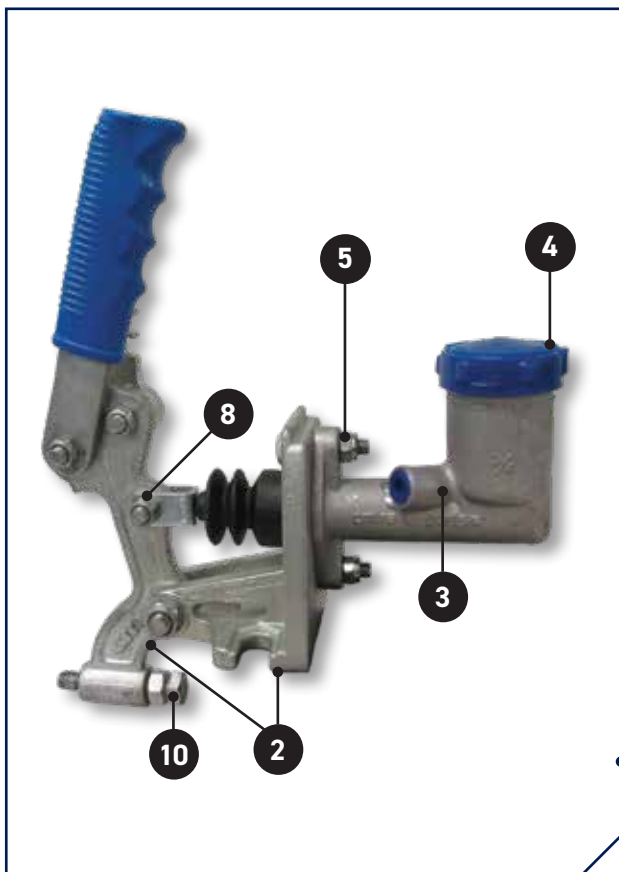
MECHANICAL OVERRIDE BASEPLATE



ITEM	DESCRIPTION	PART NO
1	Base Plate and Lever Assembly - Zinc plated	TE194457Z
2	Roll Pin	TE194414*

*No longer available

MASTER CYLINDER & BRACKET ASSEMBLY

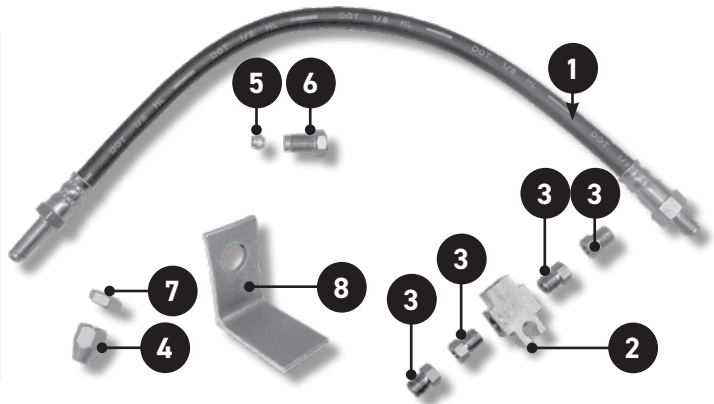


SPARE PARTS

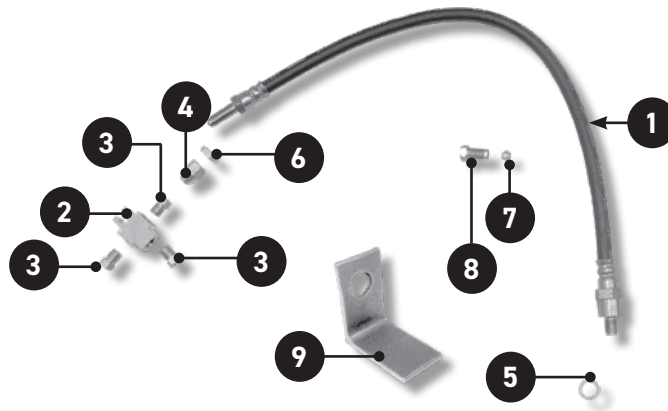
ITEM	DESCRIPTION	FOLDING LEVER	BLISTER PACK (QTY 1)
1	3/4 Master Cyl & Bracket Assembly Complete	TE194425FZ	
	7/8 Master Cyl & Bracket Assembly Complete	TE194427FZ	
2	Bracket & Lever Assembly	TE194424FZ	
3	3/4 Master Cylinder with side port (pictured)	TE194436	
	3/4 Master Cylinder Assembly (standard 45° top port)	TE194437/313001	
	7/8 Master Cylinder Assembly (standard 45° top port)	TE194438/313007	
4	3/4 & 7/8 Std Master Cylinder Cap	TE194440	TE194440P
	7/8 Master Cylinder Cap (Plastic Body)t	TE194441/313008	TE194442
5	Bolt & Nut	M8x30x2	
6	Handbrake Lever & Ratchet Assembly	TE194422FZ	
7	Handbrake Ratchet/Pin/Spring	TE194423	
8	Bolt & Nyloc Nut	M8x25	
9	3/4 Master Cylinder Kit	TE194444	
10	Adjuster bolt & Nut	M10 x 60 ⁵ / ₁₆ UNC	

DRUM BRAKE HOSE KITS

ITEM	DESCRIPTION	TE5HKDR	TE5HKDR2
1	Hose 300mm	TE195HDR	TE195HDR x2
2	Brass Tee	333333	333333 x3
3	Tube Nut (male)	313031 x4	313031 x11
4	Tube Nut (female)	TE195BP9	TE195BP9 x2
5	Ferrule 3/16" M/Cly	TE195603	TE195603
6	Tube Nut (male) M/Cly	313030	313030
7	3/8 UNF Brass Lock Nut	TE195LN	TE195LN x2
8	Hose Bracket	TE195LB	TE195LB x2



DISC BRAKE HOSE KITS



ITEM	DESCRIPTION	TE5HKJ1	TE5HKJ2	TE5HKTR1
1	Hose 500mm	TE195HDJ x2	TE195HDJ x4	TE195HDI x2
2	Brass Tee / Cross	333333 x1	TE195M7024 x1 333333 x1	333333
3	Tube Nut (male)	313031 x3	313031 x7	313031 x3
4	Tube Nut (female)	TE195BP9 x2	TE195BP9 x4	TE195BP9 x2
5	Copper Washer 10mm - Alloy Caliper Only	-	-	TE195CW10 x2
6	3/8 UNF Brass Lock Nut	TE195LN x2	TE195LN x4	TE195LN x2
7	Ferrule 3/16 M/Cly	TE195603 x1	TE195603 x1	TE195603
8	Tube Nut (male) M/Cly	313030 x1	313030 x1	313030
9	Hose Bracket	TE195LB x2	TE195LB x4	TE195LB x2

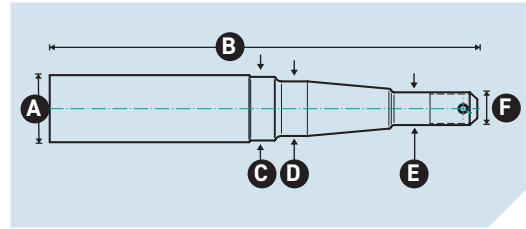
ITEM	DESCRIPTION	TE5HKTR2	TE5HKJ1SS	TE5HKJ2SS
1	Hose 500mm	TE195HDI x4	TE195HDJSS x2	TE195HDJSS x4
2	Brass Tee / Cross	TE195M7024 x1 333333 x1	333333	TE195M7024 x1 333333 x1
3	Tube Nut (male)	313031 x9	313031 x3	313031 x7
4	Tube Nut (female)	TE195BP9 x4	TE195BP9 x2	TE195BP9S x4
5	Copper Washer 10mm - Alloy Caliper Only	319102 x4	319102 x2	319102 x4
6	3/8 UNF Brass Lock Nut	TE195LN x4	TE195LN x2	TE195LN x4
7	Ferrule 3/16 M/Cly	TE195603	TE195603	TE195603
8	Tube Nut (male) M/Cly	313030	313030	313030
9	Hose Bracket	TE195LB x4	TE195LB x2	TE195LB x4

SPARE PARTS

STUB AXLE PROFILES

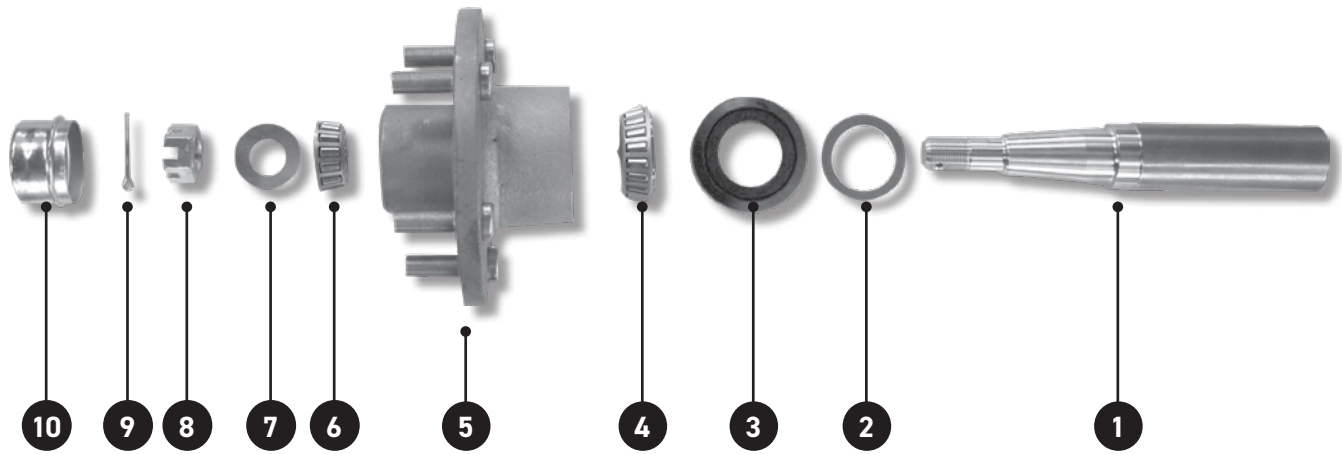
CM axles are all CNC machined from 1045 medium tensile steel.

A	B	C	D	E	F	PART	DESCRIPTION
39	225	37	32	19	3/4 UNF	143917CNZ	9" 1500 Kg Axle
39	300	37	32	19	3/4 UNF	TE190102	12" 1500 Kg Axle
45	300	43	35	22	3/4 UNF	TE190107	12" 1750 Kg Axle
50	300	47	38	25	3/4 UNF	TE190110	12" 2000 Kg Axle after June 07
63.50	380	57	44.43	31.73	1" SAE	TE190119	2750 Kg CM axle. Also USA 5200lb - 8000lb



1500 / 1750 / 2000 / 2750KG

SPARE PARTS

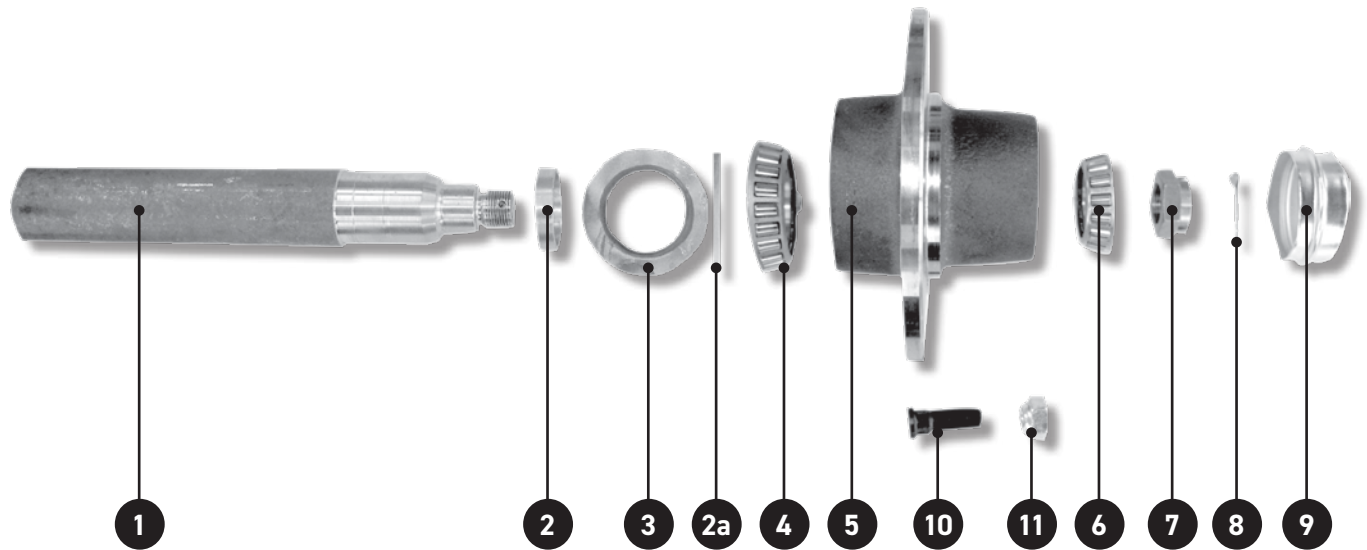


ITEM	DESCRIPTION	1500KG	1750KG	July 07 > 2000KG	2750KG
1	Axle	9"= 143917CNZ 12"= TE190102	12"= TE190107 —	12"= TE190110 —	TE190119 —
2	Washer Marine Seal Only	TE190144	TE190145-2	TE190147-2	TE190148-4 (Sleeve)
3	Hub Seal Marine 2-Lip	TE190143 TE190142	TE190145 TE190146	TE190147-1 —	TE190148-3 TE192KU10
4	Inner Bearing Assembly	TE190189-21 LM67048/10	TE190189-23 L68149/1	TE190189-24 LM29748/10	TE190189-26 25580/20
5*	Hub	POA	POA	TE191AC2000kg	TE190134
6	Outer Bearing Assembly	TE190189-20 LM11949/10	TE190189-22 LM12749/10	TE190189-09 30205	TE190189-37 15123/15245
7	Washer 3/4	TE190190-08	TE190190-08	TE190190-08	TE190190-10
8	Slotted Nut	TE190178	TE190178	TE190178	TE190181
9	Split Pin	TE190190-01	TE190190-01	TE190190-01	TE190190-02
10	Dust Cap	TE190161 1.78" / 45.2mm	TE190161 1.78" / 45.2mm	TE190164 2.047" / 52.0mm	TE190166 2.44" / 62mm

POA - Part On Application. *Please advise stud pattern required.

BEARING KITS	1500KG	1750KG	2000KG	2750KG
Bearing Kit 2-Lip Seal	TE190186			
Bearing Kit Marine Seal	TE190187	TE190188-02	TE190189-2000 Post July 2007 >	Bearing Kit 2-Lip Seal TE190189-6000

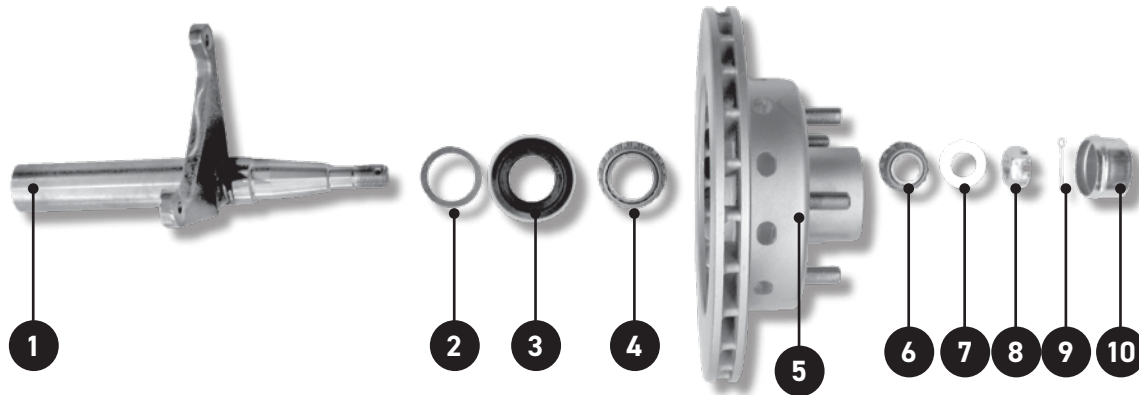
3000 / 4000 / 6000 / 8000KG



SPARE PARTS

ITEM	DESCRIPTION	3000Kg 55mm Axle	4000KG	6000KG	8000KG
1	Axle	—	—	—	—
2	Shoulder Ring	TE190150-1	POA	POA	
2a	Bearing Spacer Washer	POA			
3	Oil Seal	TE190149-1	TE190152	80X120X12	90X130X12
4	Bearing Assembly Inner	TE190189-16 30210	30211	30213	32215
5	Hub	—	—	—	—
6	Bearing Assembly Outer	30207	30208	30210	32211
7	Slotted Nut	M27X2	M33X2	M39X2	M45X2
8	Split Pin	M5X50	—	—	—
9	Dust Cap	TE190169 72mm	TE190173 80mm	TE190175 90mm	TE190176 100mm
10	Wheel Stud	TE8WS16MF	TE8WS18MF	TE8WS18MF	TE8WS18MF
11	Wheel Nut	TE8WNM16F	TE8WNM18F	TE8WNM18F	TE8WNM18F

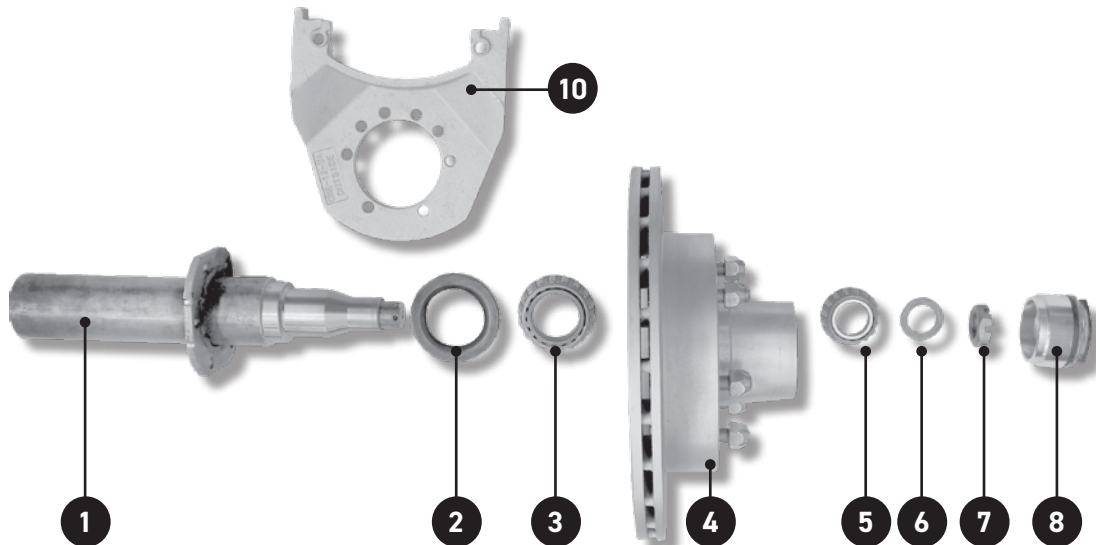
1500 / 1750 / 2000KG ONE-PIECE VENTED ROTOR



KEY	DESCRIPTION	1500KG	1750KG	2000KG
1	Axle	TE192212-C	TE192215-C	TE192218-K
2	Washer Marine Seal	TE190144	TE190145-2	TE190147-2
3	Marine Seal	TE190143	TE190145	TE190147-1
4	Inner Bearing Assembly	TE190189-21 / LM67048/10	TE190189-23 / L68149/10	TE190189-24 / LM29748/10
5	Vented One-Piece Rotor	TE192DROTOR10 (259mm/10.2")	TE192DROTOR10 (259mm/10.2")	TE192238 (277mm/10.9")
6	Outer Bearing Assembly	TE190189-20 / LM11949/10	TE190189-22 / LM12749/10	TE190189-09 / 30205
7	Washer	TE190190-08	TE190190-08	TE190190-08
8	Slotted Nut 3/4 UNF	TE190178	TE190178	TE190178
9	Split pin M4x32	TE190190-01	TE190190-01	TE190190-01
10	Dust Cap	TE190161	TE190161	TE190164

SPARE PARTS

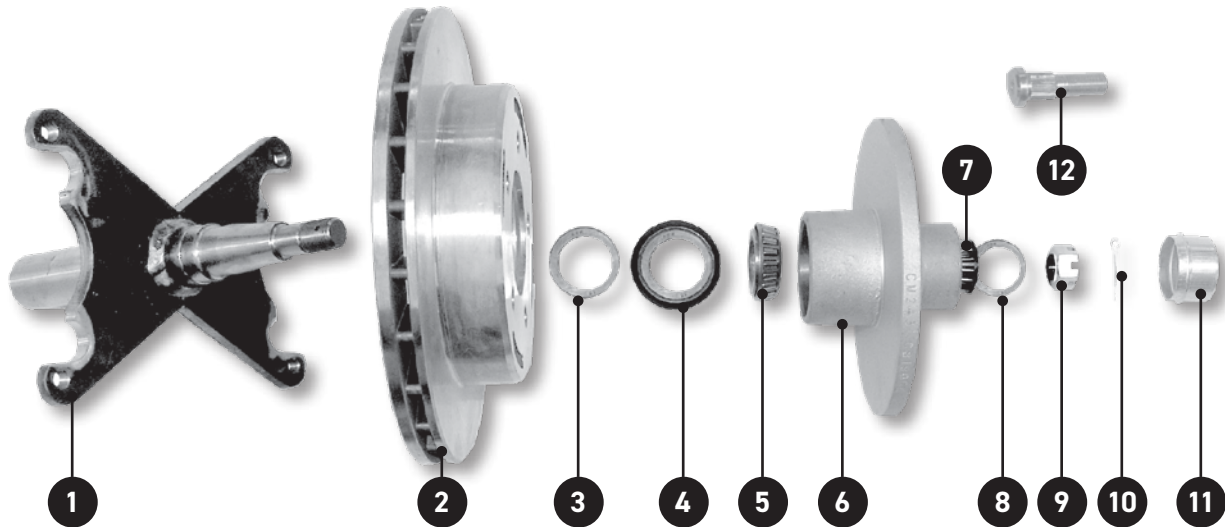
2750KG SINGLE-PIECE VENTED ROTOR



KEY	DESCRIPTION	2750KG
1	Axles	TE192219-K
2	Hub Seal 2 Lip Marine Seal Collar Hub Seal Marine	TE192KU10 TE190148-4 TE190148-3
3	Inner Bearing Assembly	TE190189-26 25580/20
4	Rotor Hub	TE192KU2 (305mm/12")

KEY	DESCRIPTION	2750KG
5	Outer Bearing Assembly	TE190189-37 15123/15245
6	Washer	TE190190-10
7	Slotted Nut	TE190181
8	Dust Cap	TE190166
10	Caliper Mounting Plate	TE192KCMB12U

1500 / 1750 / 2000 / 3500KG
TWO-PIECE ROTOR

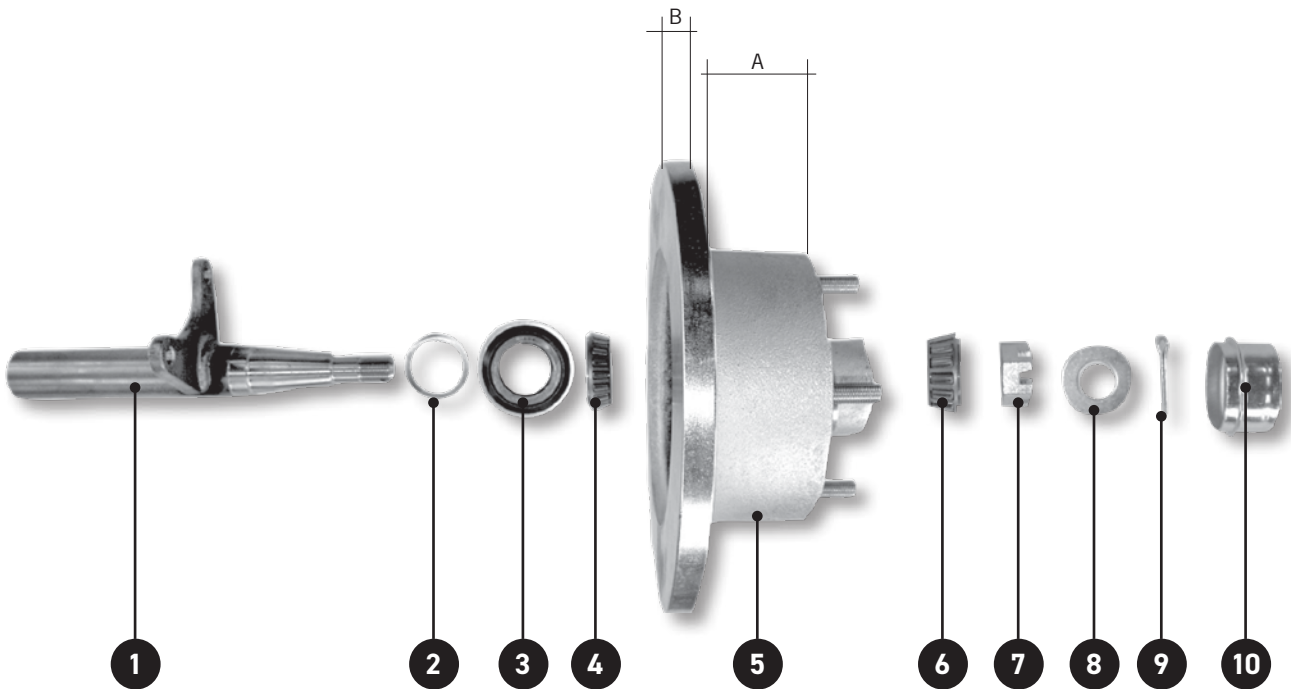


	DESCRIPTION	1500KG	1750KG	2000KG	3500KG
1	Axle Single Mount	TE192212-K	TE192215-K	TE192218-K	—
	Axle Twin Mount	TE192212-KD*	TE192215-KD*	TE192218-KD*	TE192220-KD
2	Rotor SCAD Plated	TE192KROTOR10	TE192KROTOR10	TE192KROTOR10	TE192KROTOR12
	Stainless Steel	TE192KROTOR10SS	TE192KROTOR10SS	TE192KROTOR10SS	TE192KROTOR12SS
3	Washer Marine Seal	TE190144	TE190145-2	TE190147-2	—
4	Marine Seal	TE190143	TE190145	TE190147-1	TE190151 M
5	Bearing Assembly Inner	TE190189-21	TE190189-23	TE190189-24	TE190189-16
		LM67048/10	L68149/10	LM29748/10	30210
6	Hub	POA	POA	POA	POA
7	Bearing Assembly Outer	TE190189-20	TE190189-22	TE190189-09	TE190189-24
		LM11949/10	LM12749/10	30205	LM29748/10
8	Washer	TE190190-08	TE190190-08	TE190190-08	TE190190-11
9	Slotted Nut	TE190178	TE190178	TE190178	TE190182
10	Split Pin	TE190190-01	TE190190-01	TE190190-01	TE190190-03
11	Dust Cap	TE190161	TE190161	TE190164	TE190171
		1.78"	1.78"	52mm	3"
12	Wheel Stud 7/16 UNF	TE8WS07-K	TE8WS07-K	—	—
		1/2 UNF	TE8WS08-K	TE8WS08-K	TE8WS08-K

*No longer available

**Please advise stud pattern required

1500 / 1750KG SINGLE SOLID PIECE ROTOR



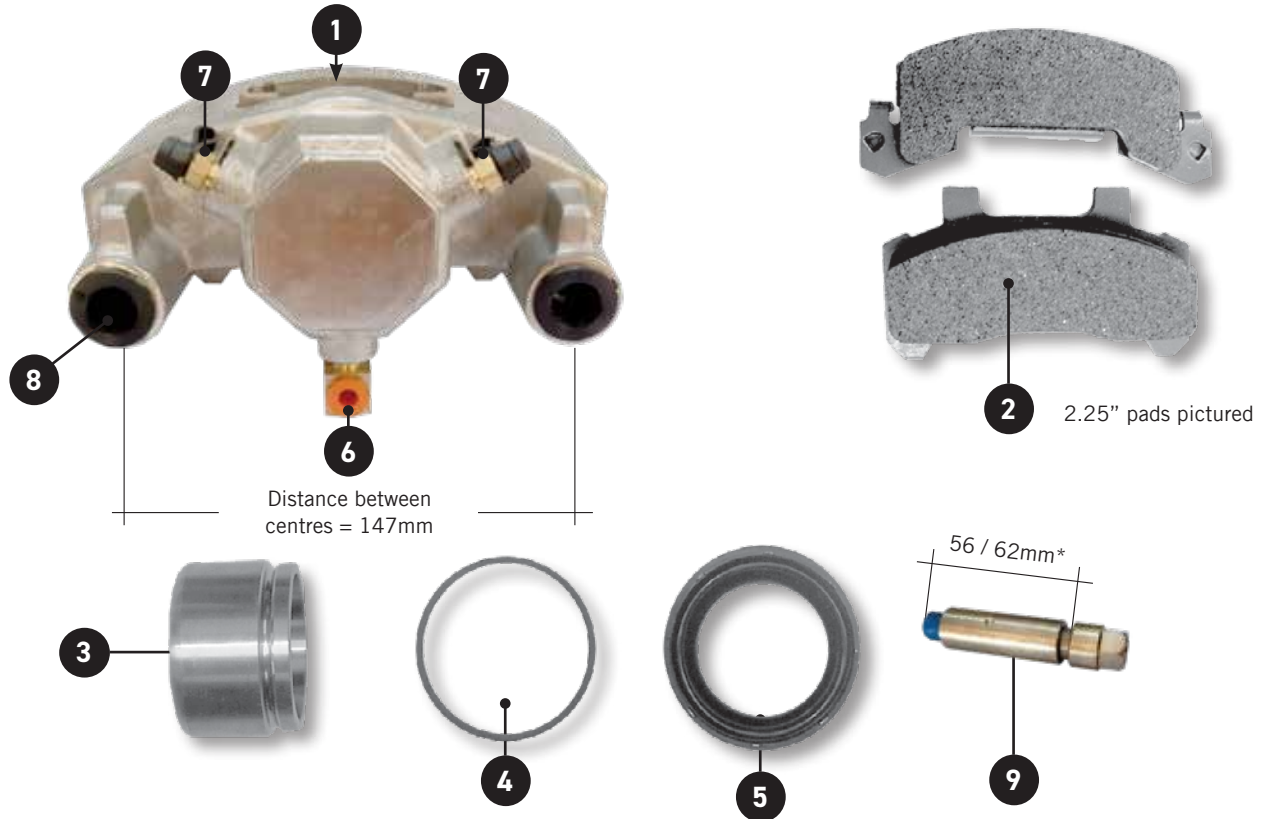
SPARE PARTS

ITEM	DESCRIPTION	1500KG	1750KG
1	Axle Trigg Caliper	TE192212*	TE192215*
	Axle Trigg Caliper Twin Mount	TE192212-D*	TE192215-D*
	Axle CM Alloy Caliper	TE192212*	TE192215*
	Axle CM Alloy Caliper Twin Mount	TE192212-D NLA*	TE192215-D NLA*
2	Washer Marine Seal Only	TE190144	—
3	Hub Seal Marine 2 Lip	TE190143	TE190145
		TE190142	TE190146
4	Bearing Assembly Inner	TE190189-21 LM67048/10	TE190189-23 L68149/10
5**	Disc Rotor	TE192237 A = 63mm B = 13mm Diameter = 255mm	TE192237 A = 63mm B = 13mm Diameter = 255mm
		TE192236* A = 65.5mm B = 15mm Diameter = 260mm	TE192236* A = 65.5mm B = 15mm Diameter = 260mm
6	Bearing Assembly Outer	TE190189-20 LM11949/10	TE190189-22 LM12749/10
7	Slotted Nut 3/4 UNF	TE190178	TE190178
8	Washer 3/4	TE190190-08	TE190190-08
9	Split Pin M4x32	TE190190-01	TE190190-01
10	Dust Cap	TE190161	TE190161

*No longer available

**Please advise stud pattern required.

KODIAK / DEEMAXX 2.25" - 2.50"



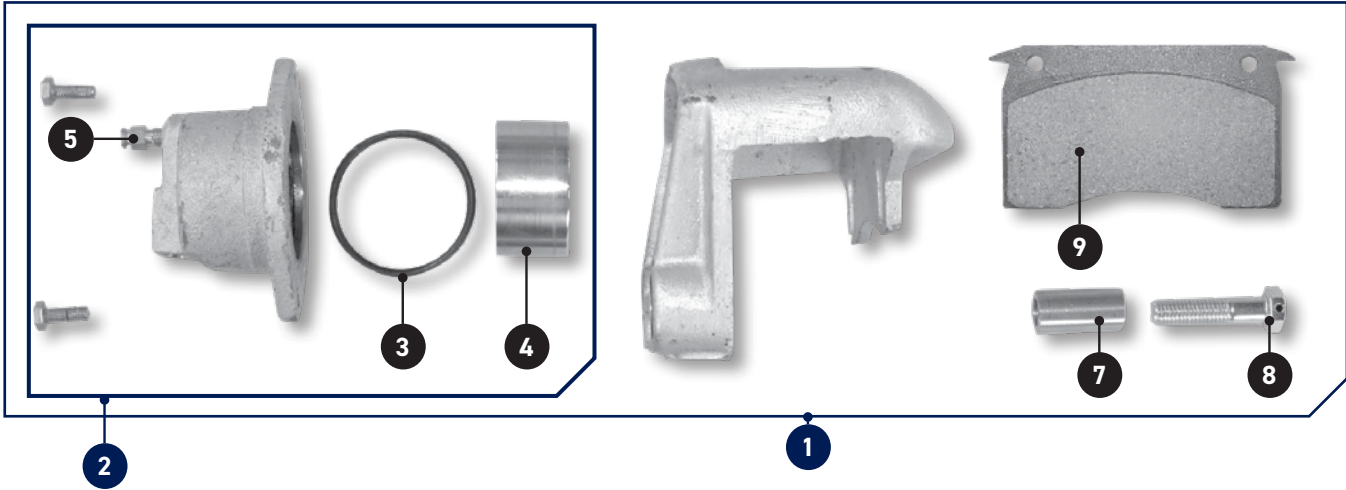
ITEM	DESCRIPTION	2.25" / 57mm PISTON	2.50" / 63.5mm PISTON
1	Caliper Complete. SCAD Plated	TE192KDBC225	TE192KDBC250
	Caliper Complete. Gold Line (not marine)	TE192KDBC225V	
	Caliper Complete. Stainless Steel	TE192KDBC225SS	TE192KDBC250SS
2	Brake Pads (set of 4)	Ceramic: TE192K225PAD Semi-metallic: TE192K225PADSM S/steel backed: TE192K225PADSS	Ceramic: TE192K250PAD S/steel backed: TE192K250PADSS
3	Piston	TE192K225PISTON	TE192K250PISTON
4	Piston Seal	TE192K225SEAL	TE192K250SEAL
5	Piston Dust Seal	TE192K225B00T	TE192K250B00T
6	Port Adapter - brass	TE192KBAP	TE192KBAP
7	Bleeder Assembly - Kodiak Bleeder Assembly - Deemaxx,	TE192KADP TE192KBD	TE192KADP TE192KBD
8	Caliper Slide Bush (2 per caliper)	TE192KBSB	TE192KBSB
9	Caliper Mount Bolt (2 per caliper) & Sleeve M11 x 1.5	TE192KMHGB 56mm long*	TE192KMHGB-L 62mm long*

BRAKE OVERHAUL KITS

TE192K2250HK	DEEMAX CALIPER SEAL OVERHAUL KIT - 225 (Suits one caliper)		
	TE192K225B00T	RUBBER BOOT 2.25" KODIAK DEEMAXX	1
	TE192K225SEAL	SEAL PISTON 2.25" KODIAK DEEMAXX	1
	TE192KBSB	CALIPER SLIDE BUSH DEEMAXX & KODIAK	2
TE192K2500HK	DEEMAX CALIPER SEAL OVERHAUL KIT - 250 (Suits one caliper)		
	TE192K250B00T	RUBBER BOOT 2.25" KODIAK DEEMAXX	1
	TE192K250SEAL	SEAL PISTON 2.25" KODIAK DEEMAXX	1
	TE192KBSB	CALIPER SLIDE BUSH DEEMAXX & KODIAK	2

SPARE PARTS

ARK



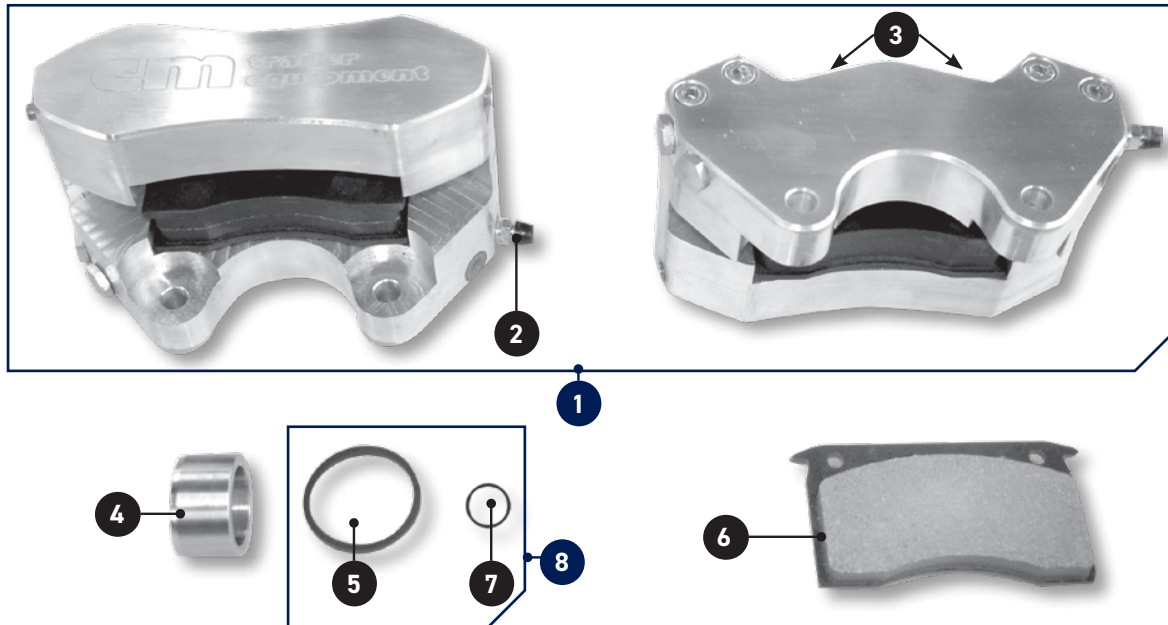
ITEM	DESCRIPTION	PART NO
1	Caliper Complete	TE192246
2	Body/Piston Assembly	TE192252*
3	Piston Seal	TE192253
4	Piston	TE192254
5	S/S Bleeder	TE192255

ITEM	DESCRIPTION	PART NO
7	Slide Bush	TE192256A (x2) Ark
8	Caliper Bolt	TE192256-1 (x2)
9	Disc Pads	TE192251 (1pair) Blister pack (qty 2): TE192251P

*No longer available

SPARE PARTS

CM VIPER II

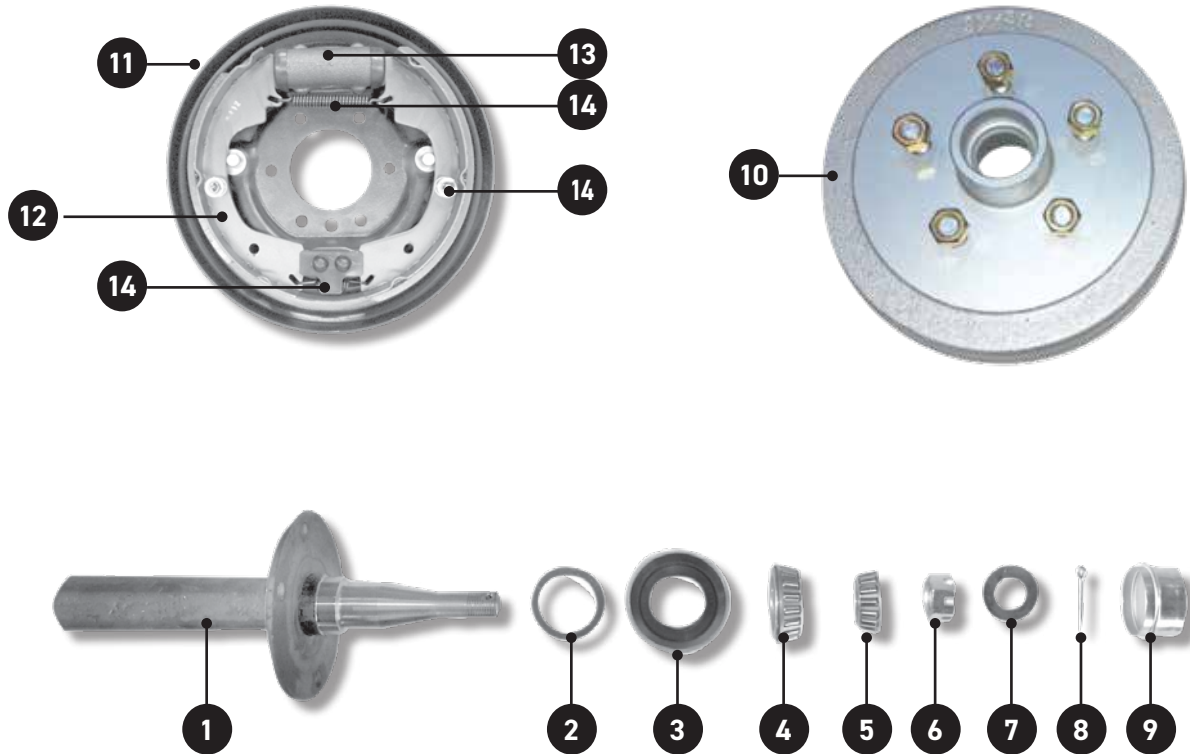


ITEM	DESCRIPTION	PART NO
1	Caliper Assembly	TE192244*
2	Bleeder	TE192267-0
3	Brake Pad Pin Kit	TE192268-3*
4	Piston	TE192266

ITEM	DESCRIPTION	PART NO
5	Piston Seal	TE192266-1
6	Brake Pad (2 per set)	TE192251
7	Galley Seal (2)	TE192266-2
8	Seal Kit (2 of each)	TE192266-K

*No longer available

1500 / 1750 / 2750KG

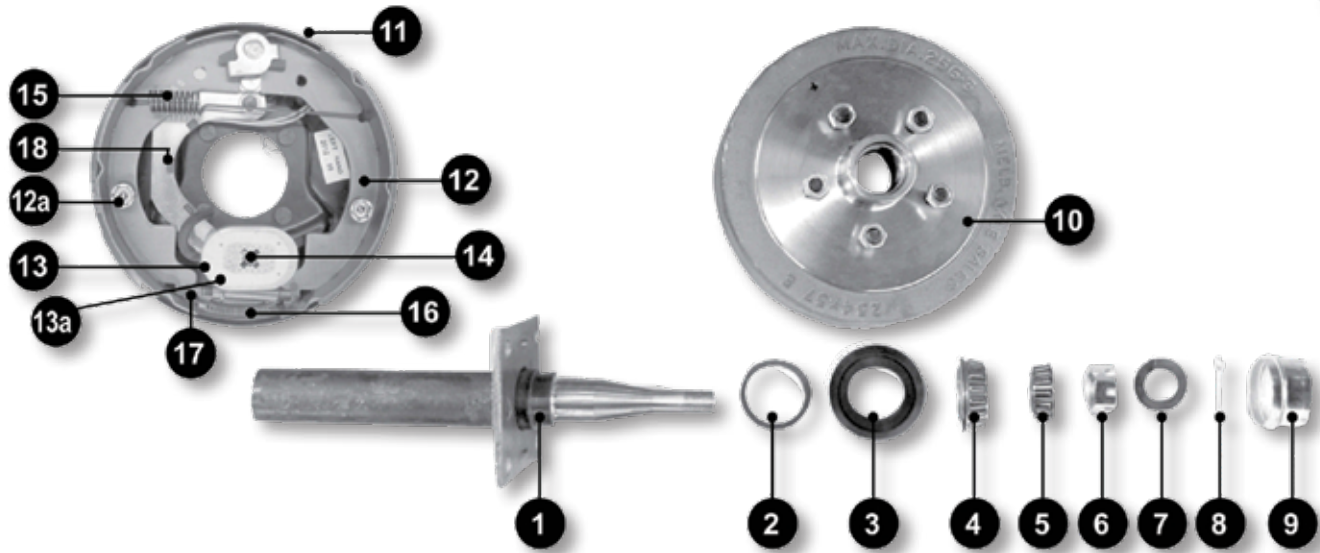


1500kg - 9" x 1.75" brakes pictured

ITEM	DESCRIPTION	1500KG	1750KG	2750KG
1	Axle	TE192201-C Dec 09 onwards	TE192208	TE192219-K
	Axle Bolt On	TE192203*		
2	Washer Marine Seal Only	TE190144	TE190145-2	—
3	Seal Marine	TE190143	TE190145	—
	Seal - 2 Lip Automotive	TE190142	TE190146	TE192KU10
4	Bearing Assembly Inner	TE190189-21 LM67048/10	TE190189-23 L68149/10	TE190189-26 25580/20
5	Bearing Assembly Outer	TE190189-20 LM11949/10	TE190189-22 LM12749/10	TE190189-37 15123/15245
6	Slotted Nut	TE190178	TE190178	TE190181
7	Washer	TE190190-08	TE190190-08	TE190190-10
8	Split Pin	M4X32	TE190190-01	TE190190-02
9	Dust Cap	TE190161	TE190161	TE190166
10	Brake Drum	TE192221Z: Blank - Dec 09 onwards TE1922212F 4.5 x 5 x 1/2" - Dec 09 onwards	TE192226Z: Blank TE192266ZF 4.5 x 5 x 1/2"	TE192240D Drilled 5.50" x 6 x 1/2"
11	Back Plate	TE192271 L or R	—	
	Back Plate with Park Brake	311100 Right 311101 Left	TE192272L or R	TE192270L or R
12	Brake Shoes	TE192278 (set of 4)	TE192278C* (set of 2)	
13	Brake Cylinder	3190101	—	
14	Return springs & retainer pin kit	TE192283	—	

*No longer available

1500 / 1750 / 2750 / 3500KG



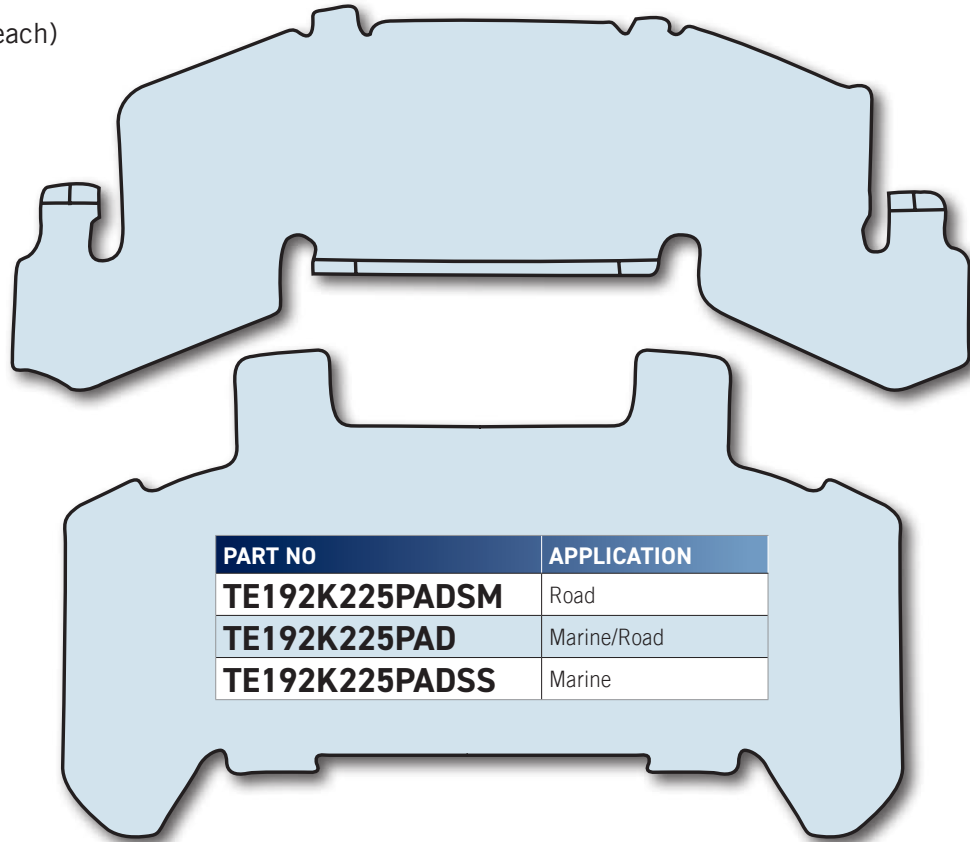
SPARE PARTS

ITEM	DESCRIPTION	1500KG 10" x 2.25"	1750KG 10" x 2.25"	1750H/D 10" x 2.25"	2750KG 12" x 2"	3500KG 12" x 2"
1	Axle	TE192206	TE192208	TE192209HD	TE192219-K	TE192210
2	Washer Marine Seal Only	TE190144	TE190145-2	—	—	—
3	Seal 2 Lip	TE190142	TE190146	TE190146	TE192KU10	TE190151
	Marine Seal	TE190143	TE190145	TE190145	—	—
4	Bearing Inner	TE190189-21 LM67048/10	TE190189-23 L68149/10	TE190189-23 L68149/10	TE190189-26 25580/20	TE190189-16 30210
5	Bearing Outer	TE190189-20 LM11L949/10	TE190189-22 LM12749/10	TE190189-23 L68149/10	TE190189-37 15123/15245	TE190189-24 LM29748/10
6	Slotted Nut	TE190178	TE190178	TE190180	TE190181	TE190182
7	Washer	TE190190-08	TE190190-08	TE190190-10	TE190190-10	TE190190-1 1
8	Split Pin	M4X32	M4X32	TE190190-02	TE190190-02	M5X63
9	Dust Cap	TE190161	TE190161	TE190166	TE190166	TE190171
10	Brake Drum	TE192226Z** Blank TE192226ZF** 4.50x5x½	TE192226Z** Blank TE192226ZF** 4.50x5x½	TE192229	TE192240D	TE192241- 3500kg
		Max inside diameter: 256.3mm				
	Brake Drum Hub	—	—	—	—	TE192240
11	Back Plate c/w Park L/H Brake R/H Brake	331101H 331100H	331101H 331100H	331101H 331100H	331301H 331300H	TE192275L TE192275R
12	Brake Shoe - Dexter (slots) - CM (no slots)	TE192280 339120 - Primary	TE192280 339121 - Secondary	TE192280 339135B x(Set) 4xShoes	339122+339123	TE192281
12a	Brake Shoe Retainer Set	TE192279	TE192279	TE192279	—	—
13	Magnet Assy - Standard - New Heavy Duty	339010 —	339010 —	339010 —	339012 —	339012 TE192293HD
13a	Magnet Spring	339110	339110	339110	TE192293HD	TE192293HD
14	Magnet Clip	339102	339102	339102	—	—
15	Spring Top	339130	339130	339130	TE192290-12	TE192290-12
16	Spring Bottom	339128	339128	339128	TE192289	TE192289
17	Adjuster Assembly	TE192286*	TE192286*	TE192286*	TE192286*	TE192286*
18	Cable Clip	TE192291-03*	TE192291-03*	TE192291-03*	TE192291-03*	TE192291-03*
19	Cable Grommet	TE192291-02*	TE192291-02*	TE192291-02*	TE192291-02*	TE192291-02*

*No longer available

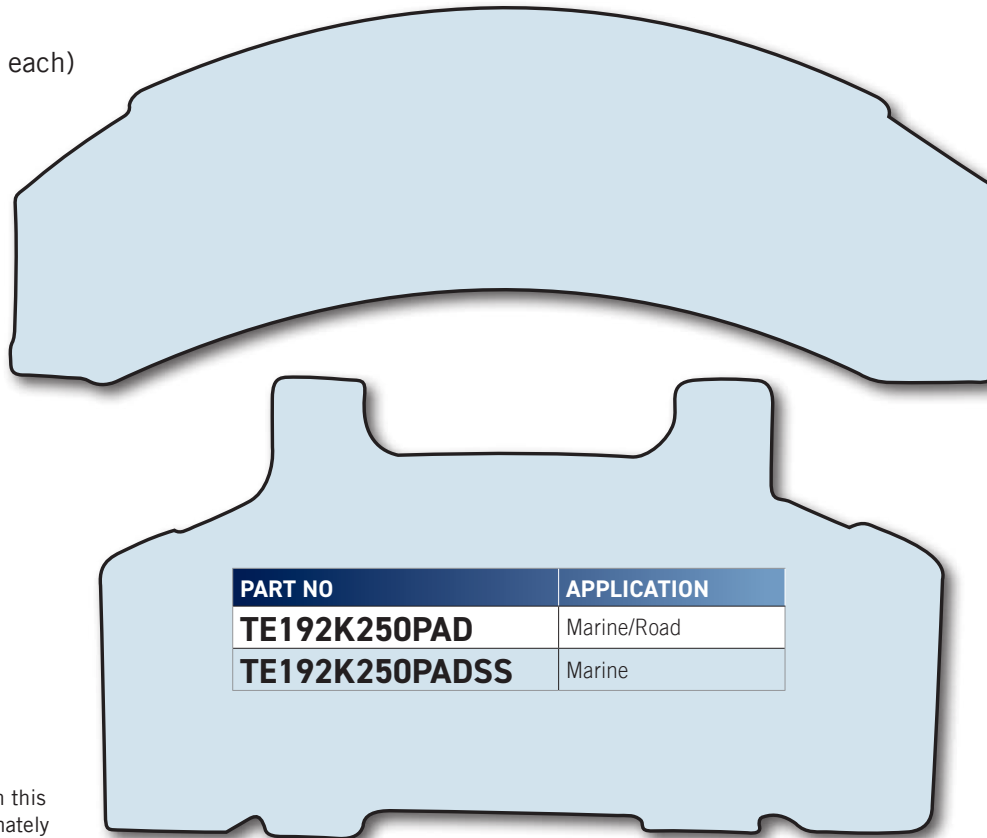
2.25" DEEMAX / KODIAK

Set of 4 (2 of each)

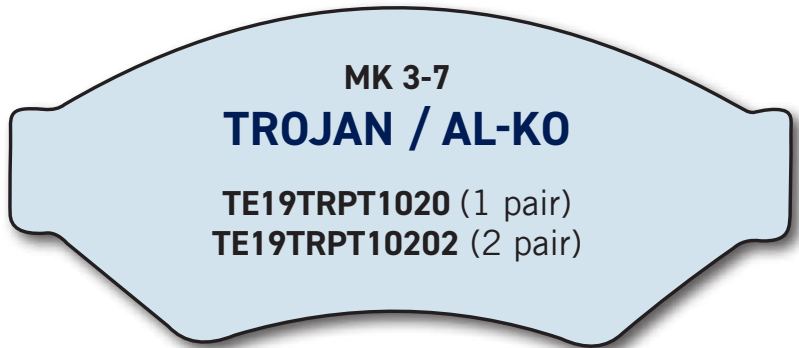
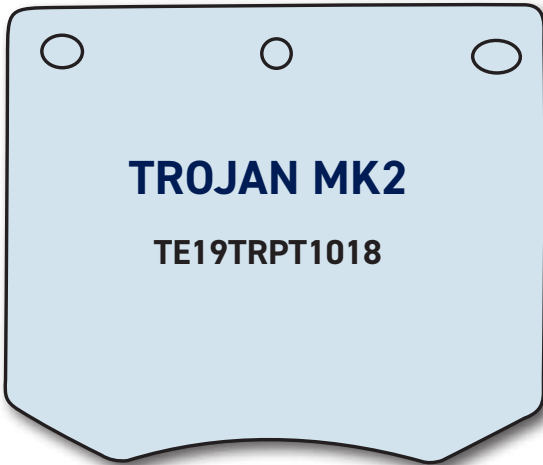


2.50" DEEMAX / KODIAK

Set of 4 (2 of each)



Note: diagrams on this page are approximately 85-90% of actual size



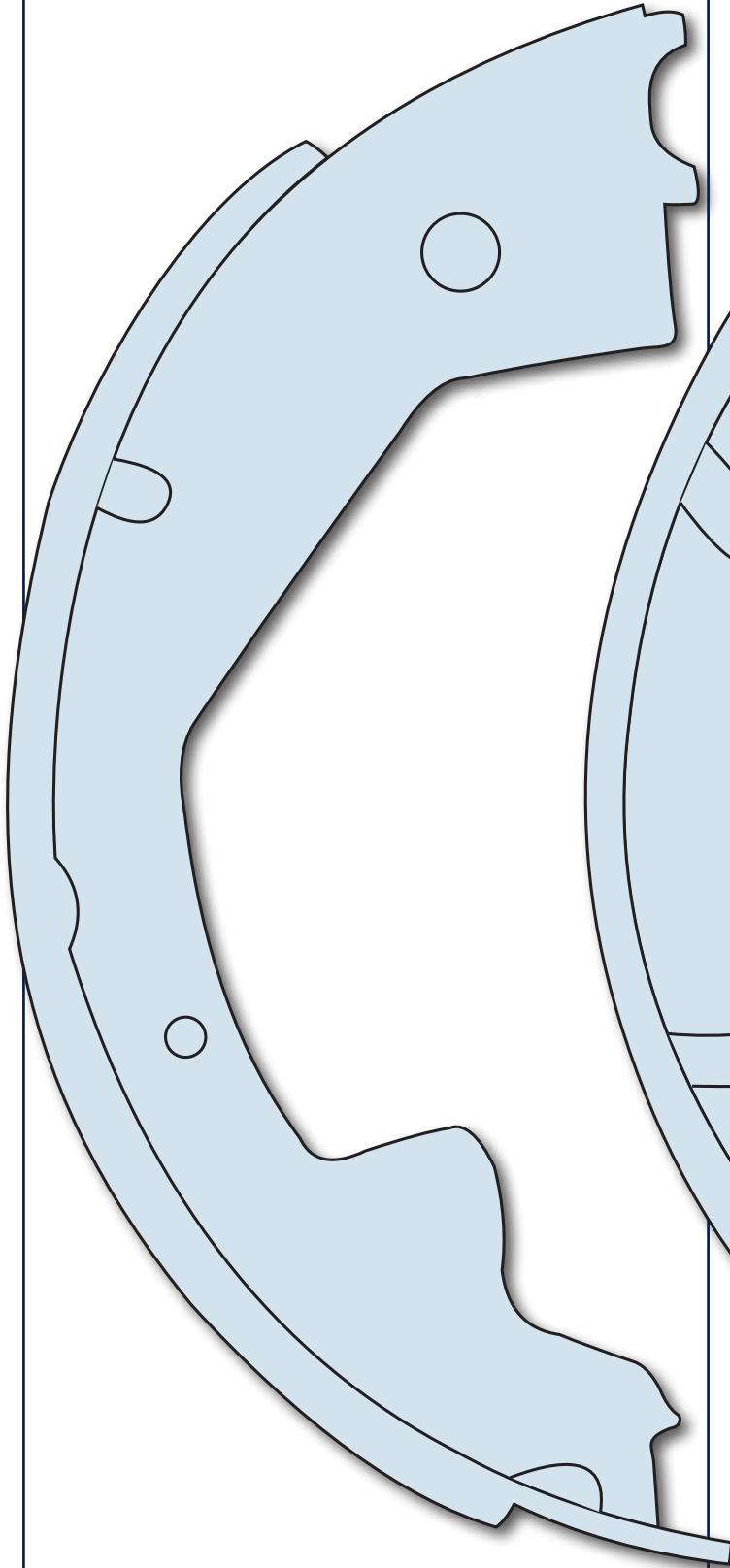
SPARE PARTS

*No longer available

Note: diagrams on this page are approximately 85-90% of actual size

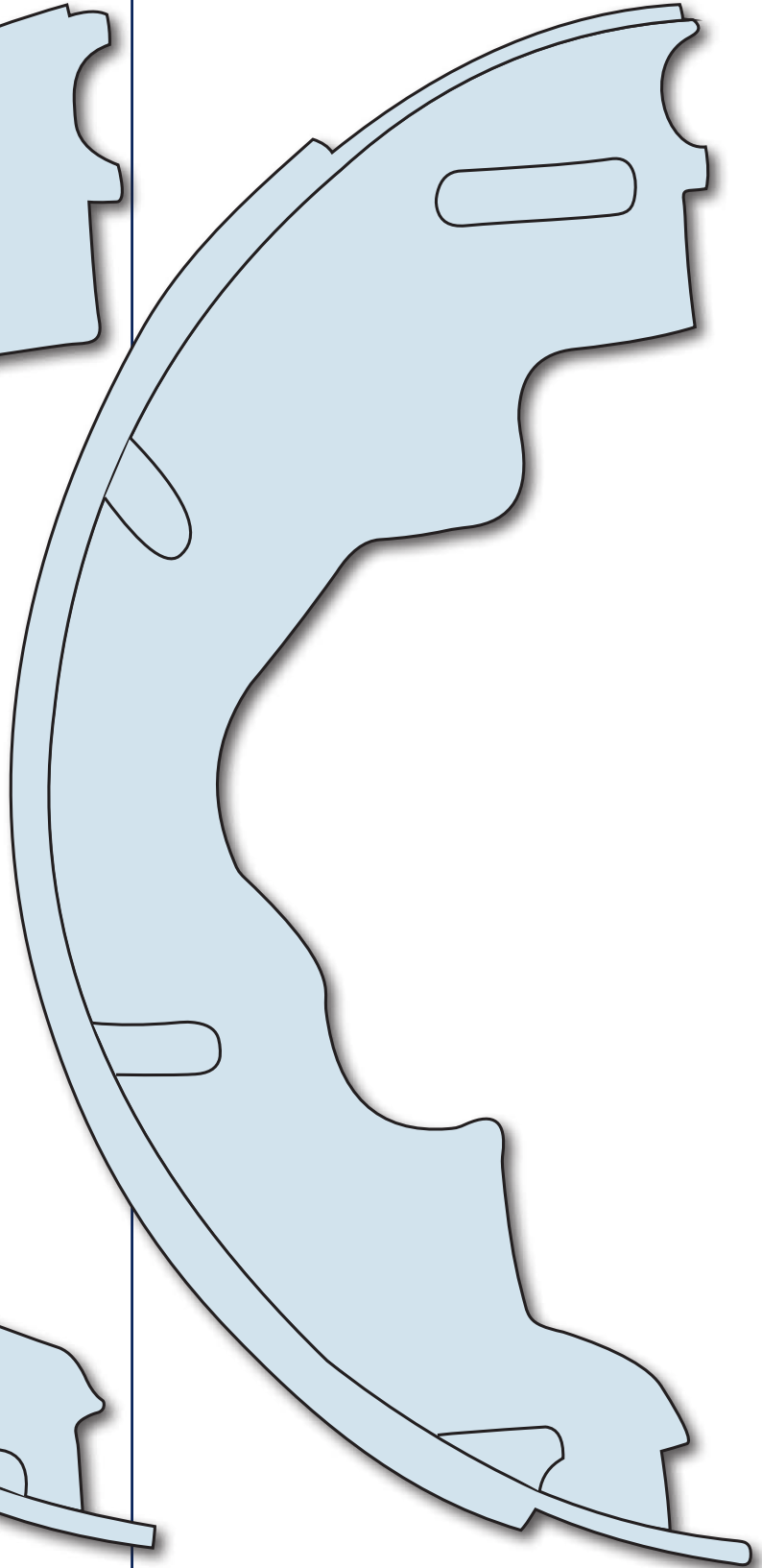
DEXTER TYPE

TE192280 DEXTER BRAND



AL-KO TYPE

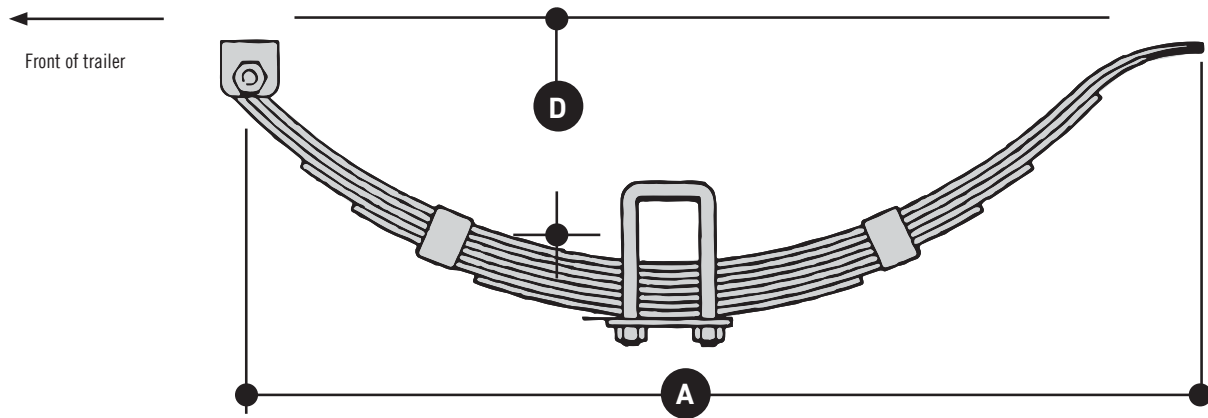
339120 Primary (Front)
339121 Secondary (Rear)



Note: diagrams on this page are approximately 85-90% of actual size

SPARE PARTS

Eye - Slipper Springs



PART NO	A = LENGTH	B = WIDTH	C = EYE SIZE	D = SPRING SET	NUMBER OF LEAVES	FINISH
TE197I0500	615	50	16	110	2 x 6mm	Paint
TE197I0750	615	50	16	110	3 x 6mm	Paint
TE197I1000	615	50	16	110	4 x 6mm	Paint
TE197I1250	615	50	16	110	5 x 6mm	Paint
TE197I1500	615	50	16	110	6 x 6mm	Paint
TE197I1750	615	50	16	110	7 x 6mm	Paint
TE197G0500	615	50	16	110	2 x 6mm	Dacromet
TE197G0750	615	50	16	110	3 x 6mm	Dacromet
TE197G1000	615	50	16	110	4 x 6mm	Dacromet
TE197G1250	615	50	16	110	5 x 6mm	Dacromet
TE197G1500	615	50	16	110	6 x 6mm	Dacromet
TE197G1750	615	50	16	110	7 x 6mm	Dacromet
TE197M1000	760	45	1/2	170	5 x 6mm	Paint
TE197M1250	760	45	1/2	170	6 x 6mm	Paint
TE197P1000	760	45	1/2	170	1 x 16mm	Galv
TE197P1400	760	45	1/2	170	1 x 18	Galv
TE197S0500 pr	760	51	16	100	1 x 8	Grey Paint
TE197S1000 pr	760	51	16	100	1 x 11	Grey Paint
TE197S1500 pr	760	51	16	100	1 x 13	Grey Paint
TE197S2000 pr	760	51	16	100	1 x 18	Grey Paint
TE197N0300	770	50	16	110	1 x 6.3mm	Black
TE197N0450	770	50	16	110	2 x 6.3mm	Black
TE197N0600	770	50	16	110	3 x 6.3mm	Black
TE197N0750	770	50	16	110	4 x 6.3mm	Black
TE197N1000	770	50	16	110	5 x 6.3mm	Black
TE197N1500	770	50	16	110	5 x 8mm	Black
TE197N1750	770	50	16	110	6 x 8mm	Black
TE197N2000	770	50	16	130	5 x 9mm	Black
TE197N2500	770	50	16	130	6 x 9mm	Black

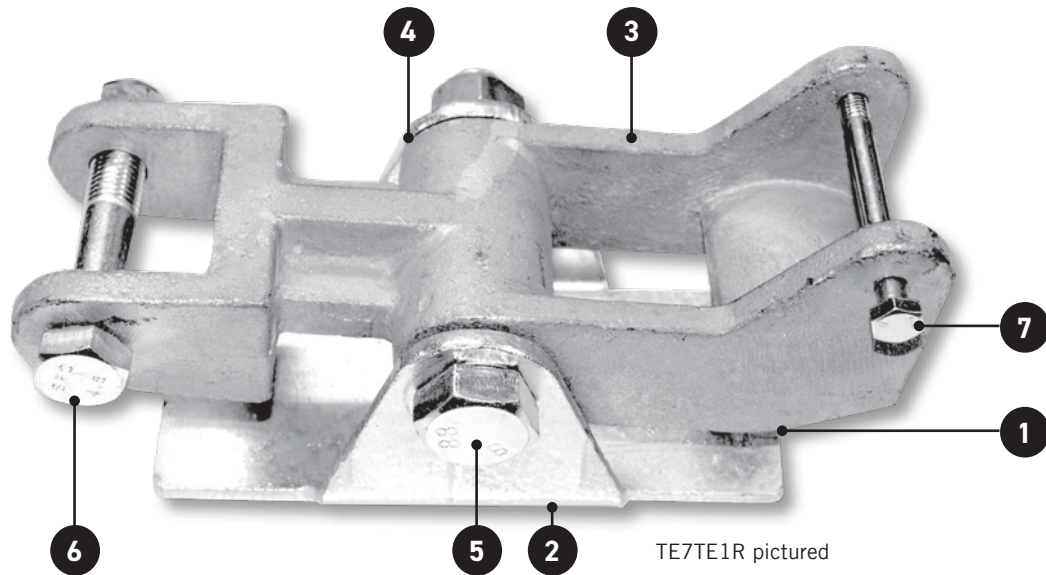
SPARE PARTS

Spring Eye Bushes

ID	OD	WIDTH	PART NO	BLISTER PACK (QTY: 2)
1/2"	7/8"	1 3/4"	TE197SB7	TE197SB7P
9/16"	1 1/16"	1 3/4"	TE197SB6	TE197SB6P
5/8"	7/8"	2"	TE197SB8	TE197SB8P



EYE - SLIPPER TYPE



ITEM	DESCRIPTION	PART NO	BLISTER PACK AVAILABLE
1	Rocker Complete (1 Pair) as pictured above	TE7TE1R	
2	Rocker Frame	TE197T101	
3	Rocker Arm Casting with Bushes	TE197T100-C	
4	Rocker Bush 2005 > Cast Rocker	TE197RB	(Qty: 2) TE197RBP
5	Rocker Bolt & Nut 2005 > Cast Rocker M20 x 120	TE197RBOLT1	
6	Rocker Bolt & Nut M16 x 100	TE197RBOLT2	
7	Rocker Bolt & Nut M10 x 90 8.8	TE197RBOLT3	

EYE - EYE ROCKER

TE197TBRIFORD

51mm wide

M16 bolts

(Sold per pair)

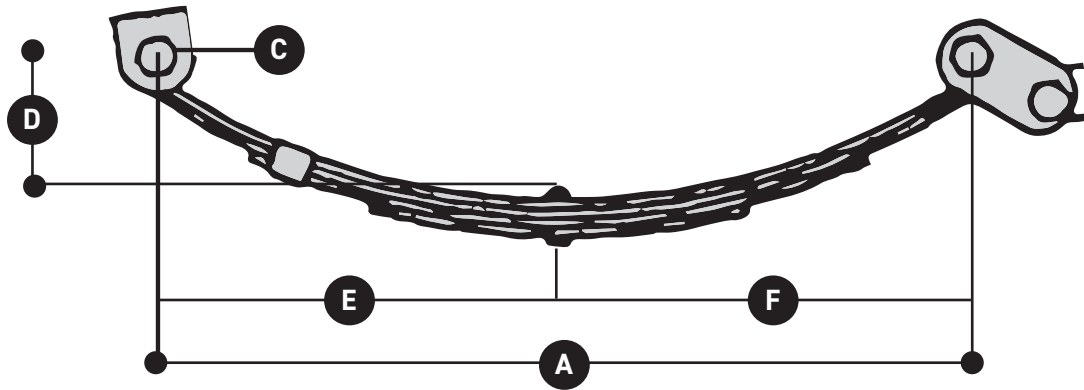


Distance between centres
= 150mm

SPRING OVERHAUL KITS

TE197SS0HK		SINGLE SPRING OVERHAUL KIT	
	TE197BE16090G	BOLT M16x90 GALV	2
	TE197NN16G	NYLOC NUT GALV M16 (0.4-0T)	2
	TE197SB8	ROCKER BUSH 25 x 20 x 36L	2
TE197ES0HK		TANDEM EYE/SLIPPER OVERHAUL KIT	
	TE197BE16090G	BOLT M16x90 GALV	2
	TE197NN16G	NYLOC NUT GALV M16 (0.4-0T)	4
	TE197BE16100G	BOLT M16 x 100 GALV	2
	TE197BHT10090Z	BOLT H/T M10x90 ZP	2
	TE197NN10	NYLOC NUT 10mm ZP	2
	TE197BHT20120Z	HT ROCKER BOLT M20 x 120 GALV	2
	TE197NN20	NYLOCK NUT 20mm GALV	2
	TE197RB	ROCKER BUSH 25 x 20 x 36L	4
	TE197SB8	SHACKLE BUSH 5/8" x 7/8"x 2" 5/8" x 7/8" x 2"	4
TE197EE0HK		TANDEM EYE/EYE OVERHAUL KIT	
	TE197BE16090G	BOLT M16x90 GALV	14
	TE197NN16G	NYLOC NUT GALV M16 (0.4-0T)	14
	TE197SB8	SHACKLE BUSH 5/8" x 7/8"x 2" 5/8" x 7/8" x 2"	14
	TE197T207	LINK PLATE TABBED EYE / EYE	4
	TE197T208	LINK PLATE PLAIN EYE / EYE	4
TE197RR0HK		ROCKER ROLLER OVERHAUL KIT (SUITS ALKO SPRINGS ONLY)	
	576304	SHACKLE PIN M16 WITH 45 DEG NIPPLE	8
	TE197NN16G	NUT M16 NYLOC SILVER ZINC	8
	TE197BE16100G	SPRING ROLLER SUIT ROCKER ROLLER SPRING	4
	TE197BHT10090Z	SPRING R/ROLLER CENTRE PIN M18 X 97mm	2
	TE197NN10	NUT M18 NYLOC SILVER ZINC	2
	TE197BHT20120Z	SPRING BUSH NYLON 5/8x7/8x60mm nb58	4

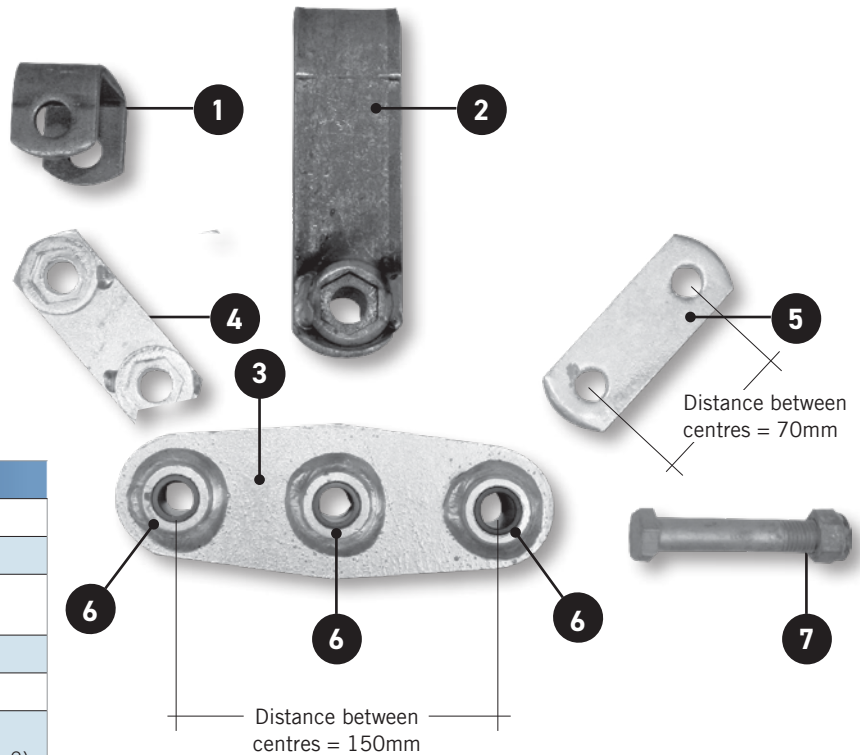
EYE - EYE SPRINGS



Note: U-Bolt Kit Sold Separately

A = LENGTH	B = WIDTH	C = EYE SIZE	D = SPRING SET	E = OFFSET LENGTH	F = OFFSET LENGTH	NO OF LEAVES	FINISH	PART NO
600	50	16	95	290	310	4 x 6mm	Paint	TE197EE1000
600	50	16	95	290	310	5 x 6mm	Paint	TE197EE1250
600	50	16	95	290	310	6 x 6mm	Paint	TE197EE1500
600	50	16	95	290	310	8 x 6mm	Paint	TE197EE1750
600	50	16	95	290	310	4 x 6mm	Dacromet	TE197EE100G
600	50	16	95	290	310	5 x 6mm	Dacromet	TE197EE1250G
600	50	16	95	290	310	6 x 6mm	Dacromet	TE197EE1500G
600	50	16	95	290	310	8 x 6mm	Dacromet	TE197EE1750G

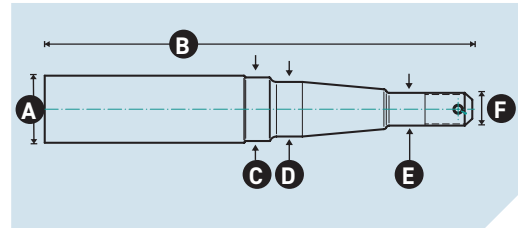
EYE - EYE TYPE



ITEM	DESCRIPTION	PART NO
1	Spring Hanger 2"	590501
2	Rocker Saddle EYE / EYE	TE197T201
3	Rocker Arm EYE / EYE, includes nylon brushes	TE197T200
4	Link Plate Tabbed	TE197T207
5	Link Plate Plain	TE197T208
6	Rocker Arm Bush (3 required per rocker)	TE197SB8 Blister pack (qty 2): TE197SB8P
7	Rocker Bolt M16 x 90	TE197SB1

SPARE PARTS

STUB AXLES NON-BRAKED

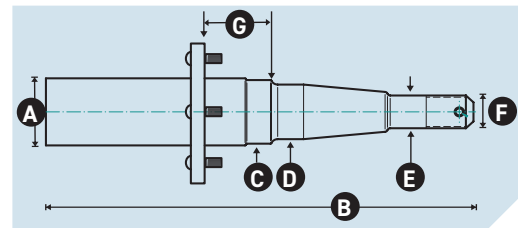


PART NUMBER	A	B	C	D	E	F	CAPACITY (LB/PAIR)
TE190119	63.5	380	57	44.43	31.73	1" SAE	5200, 6000, 70000 & 8000

STUB AXLES BRAKED



TE192219-K



PART NUMBER	A	B	C	D	E	F	G	CAPACITY (LB/PAIR)
TE192205	45mm	300	43.70	35	27	1" SAE	35	3500LB
TE192219-K	63.5	380	57	44.43	31.73	1" SAE	72	5200, 6000, 70000 & 8000

AXLE NUTS & WASHERS

**TE191UFP32414
AXLE NUT 13/16"**

Suits UFP axles



**TE190181
SLOTTED NUT 1" SAE 14TPI**

Suits USA spindle #42



**TE192KU8
LOCK WASHER FOR SLOTTED NUT**

Single tab 25.4mm ID x 39.6mm OD



**TE191UFP32418
RETAINER FOR AXLE NUT**

Suits UFP 13/16"



**TE190181-1
WASHER 25.4MM ID X 42MM OD**



**TE192KU9
LOCK WASHER FOR SLOTTED NUT**

Multi tab 1" ID



PLAIN HUBS



TE190134 pictured

PART NUMBER	CAPACITY (LB/PAIR)	PCD	BEARINGS OUTER & INNER	BRAND
TE190123	3500	4.50" x 5 x 1/2"	L44649/10 & L68149/11 TE190189-3500 Bearing Kit	
TE190125*	3500	5.50" x 6 x 1/2"	L44649/10 & L68149/11	
TE191UFP41272	5200	5.50" x 6 x 1/2"	LM67048/10 & 25580/20	UFP
TE190134	6000	5.50" x 6 x 1/2"	15123/15245 & 25580/20 TE190189-6000 Bearing Kit	

*No longer available

ROTOR HUBS



TE192KU1 pictured

PART NUMBER	CAPACITY (LB/PAIR)	DIA	PCD	BEARINGS OUTER & INNER	BRAND
TE192KU1	3500	10"	4.50" x 5 x 1/2"	L44649/10 & L68149/11	
TE192UFP41019	3500	10"	4.50" x 5 x 1/2"	L44649/10 & L68149/10	UFP
TE192KU2	6000	12"	5.50" x 6 x 1/2"	15123/45 & 25580/20	DEEMAXX
TE192KU2K*	6000	12"	5.50" x 6 x 1/2"	15123/45 & 25580/20	KODIAK
TE192KU13-1*	8000	13"	6.50" x 8 x 9/16"	02475/20 & 25580/20	DEEMAXX
TE192KU13-2*	8000	13"	6.50" x 8 x 5/8"	02475/20 & 25580/20	DEEMAXX

*No longer available

SLIP ON ROTORS



TE192KROTOR10F pictured

PART NUMBER	DIA	PCD	MATERIAL	FINISH	BRAND
TE192KROTOR10	10.9"	BLANK	Cast iron	DACROMET	DEEMAXX
TE192KROTOR10F	10.9"	4.50" x 5 x 1/2"	Cast iron	DACROMET	DEEMAXX
TE192KROTOR10KF	10.9"	4.50" x 5 x 1/2"	Cast iron	DACROMET	KODIAK
TE192KROTOR10SS	10.9"	BLANK	S/steel	S/steel	DEEMAXX
TE192KROTOR10SSF	10.9"	4.50" x 5 x 1/2"	S/steel	S/steel	DEEMAXX
TE192KROTOR10SSK*	10.9"	4.50" x 5 x 1/2"	S/steel	S/steel	KODIAK
TE192KROTOR12	12"	5.50" x 6 x 1/2"	Cast iron	DACROMET	DEEMAXX
TE192KROTOR12K	12"	5.50" x 6 x 1/2"	Cast iron	DACROMET	KODIAK
TE192KROTOR12SS	12"	5.50" x 6 x 1/2"	S/steel	S/steel	DEEMAXX
TE192KROTOR12SSK*	12"	5.50" x 6 x 1/2"	S/steel	S/steel	KODIAK

*No longer available

BRAKE DRUMS



TE192240UFP pictured

PART NUMBER	CAPACITY (LB/PAIR)	DIA	PCD	BEARINGS OUTER & INNER	BRAND
TE192226C*	3500LB	10"	4.50" x 5 x 1/2"	L44649/10 & L68149/11	Unbranded
TE192226D	3500LB	10"	4.50" x 5 x 1/2"	L44649/10 & L68149/11	DEXTER
TE192240UFP	5200LB	12"	5.50" x 6 x 1/2"	LM67048/10 & 25580/20	DEXTER/UFP
TE192240D	6000LB	12"	5.50" x 6 x 1/2"	15123/45 & 25580/20	DEXTER/UFP
TE192243-08	7000LB	12"	6.50" x 8 x 1/2"	14125A /14276 & 25580/20	DEXTER
TE192243-09	7000LB	12"	6.50" x 8 x 9/16"	14125A/14276 & 25580/20	DEXTER

*No longer available

ELECTRIC BACKPLATES

PART NUMBER	SIZE (INCHES)	PARKBRAKE	BRAND
TE192273L&R	10" x2.25"	No	Dexter
TE192273LP&RP	10" x2.25"	Yes	Dexter
331100H 331101H	10" x2.25"	Yes	Suits Dexter
TE192275L&R	12" x2"	Yes	Dexter (Heavy Duty Magnets)
331300H 331301H	12" x2"	Yes	Suits Dexter
TE192276L&R*	12" x2"	No	Suits Dexter

*No longer available



331100H (right hand) pictured

HYDRAULIC BACKPLATES

PART NUMBER	SIZE (INCHES)	PARKBRAKE	BRAND
TE192272L&R	10" x2.25"	Yes	
TE192270LC&RC*	12" x2"	Yes	Suits Dexter
TE192270L&R (Duo-servo)	12" x2"	Yes	Dexter Heavy Duty

*No longer available



TE192270LC (left hand) pictured

BRAKE SHOES (SETS OF 2)

PART NUMBER	SIZE (INCHES)	TYPE	BRAND
TE192280 (Set of 2)	10" x2.25"	Electric	Dexter
339120 x1 339121 x1	10" x2.25"	Electric	Alko
TE192280C*	10" x2.25"	Electric	Suits Dexter
TE192278C*	10" x 2.25"	Hydraulic	Suits Dexter
TE192281	12" x2"	Electric	Dexter
339122 x1 339123 x1	12" x2"	Electric	Suits Dexter
TE192282L&R	12" x2" 7000LB	Hydraulic	Dexter

*No longer available



TE192280C pictured

ELECTRIC MAGNETS

339010
ELECTRIC MAGNET OVAL

10" with spring & clip



339012
ELECTRIC MAGNET OVAL 12"



TE192293HD
ELECTRIC MAGNET

12" heavy duty Dexter



BEARING & SEAL KITS

PART NUMBER	AXLE RATING	FITS/SUITS
TE190189-3500	3500lb	Dexter
TE190189-3750	3750lb	UFP
TE190189-5200	5200lb	UFP and some Dexter
TE190189-6000	6000lb	Dexter



FOR MORE COMPREHENSIVE BEARING AND SEAL INFORMATION, PLEASE REFER TO PAGE 110, ALSO SOME INFORMATION PAGE 37.

SEALS

PART NUMBER	TYPE	AXLE RATING	SIZE (OUTER DIA & INNER DIA)	FITS/SUITS
TE192KU3	American hub seal	3500lb	2.56" x 1.72"	
TE192KU3UFP	Hub seal	3500lb	2.56" x 1.68"	Suits UFP axles with s/s wear shroud
TE192KU10	American hub seal	6000lb	3.38" x 2.25"	
TE191UFP32125	Hub seal UFP	5200lb	3.38" x 2.13"	
TE190148-3	Hub seal - marine quality	5200lb - 8000lb		*Contact CM for details
TE190148-4	S/s bushing sleeve			To suit marine seal TE190148-3*

TE192KU3 pictured



* Contact CM for details

CALIPERS & PARTS

**TE192UFP33008-9
DISC PAD SET**

Suits UFP DB-35K style (2 pads)



**TE192UFP41050L&R
UFP HYDRAULIC CALIPER ASSY**

Zinc plated



OTHER ITEMS YOU MAY BE INTERESTED IN ?

DUST CAPS
SEE PAGE 38



WHEEL STUDS
SEE PAGE 39



TROJAN 1500KG DISC ROTOR/HUB**TE19TR610030 225mm Diameter**

SG iron zinc plated

Studded 4.50" x 5 x 1/2"

Supplied with bearings, seal & dust cap

**TROJAN BOLT-ON DISC ROTOR****TE19TRPT3110 225mm Diameter**

SG iron zinc plated

Supplied with cap screws

**ALKO 1500KG DISC BRAKE STUB AXLE****143938NZ****CALIPERS****341000**

Standard Al-Ko Caliper, suits Trojan

341050Stainless Steel
AL-KO caliper**DISC BRAKE PADS - SET OF 2 PADS****MK2****TE19TRPT1018****MK3-7****TE19TRPT1020B (Bulk)****TE19TRPT1020 (Blister pack)**

MK3-7 Pad pictured

CALIPER SLIDE PIN KIT

341081



ALKO STAINLESS PISTON

341083SS

Suits Trojan Caliper



CALIPER SEAL KITS

MK2 TE19TRPT1017 (2 caliper seal kits)
MK3-7 TE19TRPT1019 (1 caliper seal kit)



TE19TRPT1019 pictured

WHEEL BEARING & SEAL KITS

PLEASE SEE PAGE 124 HUB BEARING & SEAL CHART



SPARE PARTS